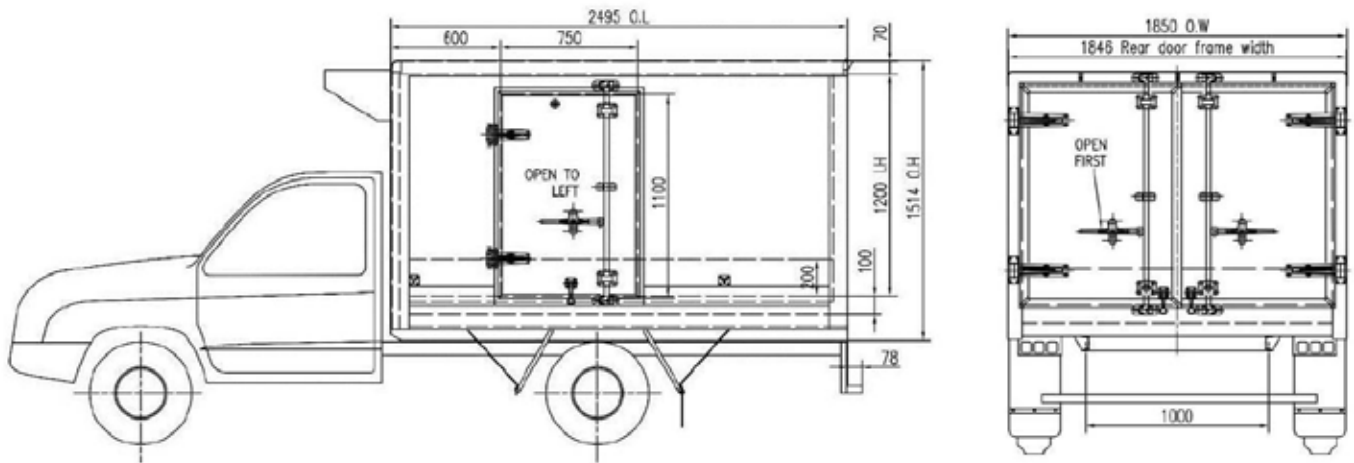


RTB25T

2 Pallet Freezer Body



STANDARD FEATURES

- * Thermal breaks on all doors
- * Fiberglass & Polyurethane foam panel with internal ribbing
- * Steel sub-frame
- * LED Interior lights including internal switch
- * Stainless steel hardware
- * Stainless steel rear door frame
- * Emergency exit door opening (rear door only)
- * Rear door gutter

SPECIFICATIONS

Length: External 2495mm Internal 2400mm

Width: External 1850mm Internal 1701mm

Height: External 1514mm Internal 1200mm

Pallet Capacity: 2 Pallet

Capacity: 4.5 m³

Approx. Body Weight: 554.5kg

Temperature Capacity: -20 degrees

Side Door: Single Passenger side 750 x 1100mm
(Swing to the Left).

Rear Door: 2 Rear Barn doors, Passenger side open first

Front Wall Frame: To suit any off engine drive units

Panel Thickness:

- * Roof 70 mm
- * Front wall 45 mm
- * Floor 100 mm
- * Rear 45 mm
- * Side 70 mm

Steps: Galvanized side and rear steps

Cargo Track: 2 @ 600 & 1200 mm – 2 Shoring bars.

Floor: Heavy duty fully welded extruded alum.
Floor Inc. 200 mm kick plate