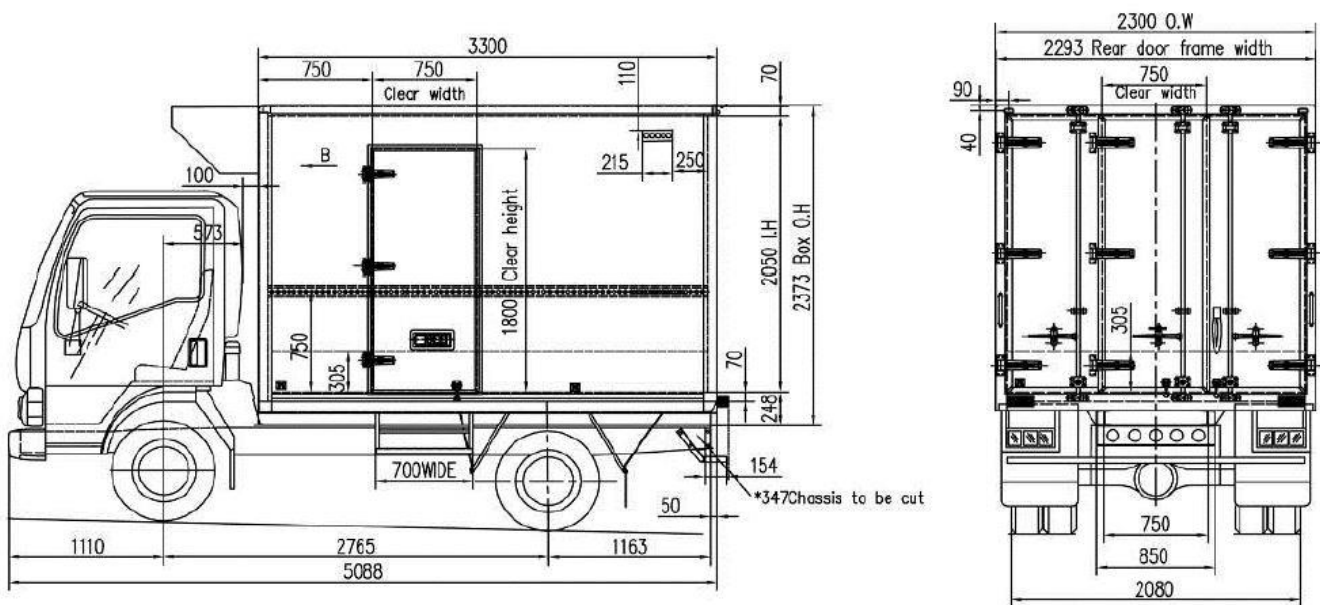


# RTB33N

## 2 Pallet Freezer Body



### STANDARD FEATURES

- \* Thermal breaks on all doors
- \* Fiberglass & Polyurethane foam panel with internal ribbing
- \* Steel sub-frame
- \* LED Interior lights including internal switch
- \* Stainless steel hardware
- \* Stainless steel rear door frame
- \* Emergency exit door opening (rear door only)
- \* Rear door gutter

### SPECIFICATIONS

**Length:** External 3300mm Internal 3155mm.

**Width:** External 2300mm Internal 2144mm.

**Height:** External 2403mm Internal 2050mm.

**Pallet Capacity:** 2 Pallet + extra room for standard pallet jack.

**Capacity:** 14 m<sup>3</sup>.

**Panel Thickness:**

- \* Roof and Front Wall 70 mm
- \* Floor 100 mm
- \* Rear 70 mm
- \* Side 70 mm

**Approx. Body Weight:** 1107kg.

**Temperature Capacity:** -20 degrees.

**Side Door:** Single Passenger side 750 x 1800 mm (Swing to the Left).

**Rear Door:** Triple Middle (750) Swing to Left.

**Front Wall Frame:** Universal to suit diesel and off engine drive units.

**Steps:** Galvanized side and rear steps.

**Cargo Track:** 1 @ 750 mm 1 Shoring bar.

**Floor:** Heavy duty fully welded extruded alum.

Floor inc, 200 mm kick plate.

**Features:** FurgoCar stainless steel recessed side door locks.