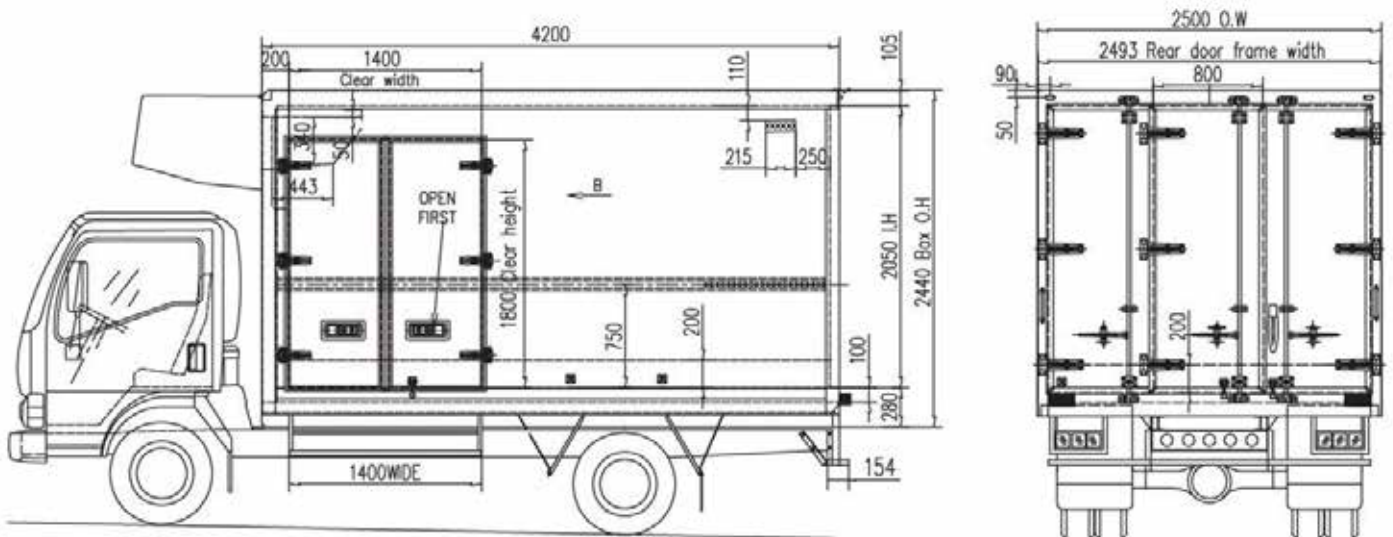


# RTB42W3

## 6 Pallet Freezer Body



### STANDARD FEATURES

- \* Thermal breaks on all doors
- \* Fiberglass & Polyurethane foam panel with internal ribbing
- \* Steel sub-frame
- \* LED Interior lights including internal switch
- \* Stainless steel hardware
- \* Stainless steel rear door frame
- \* Emergency exit door opening (rear door only)
- \* Rear door gutter

### SPECIFICATIONS

**Length:** External 4200mm Internal 4020mm.  
**Width:** External 2500mm Internal 2394mm.  
**Height:** External 2440mm Internal 2050mm.  
**Pallet Capacity:** 6 Pallet + extra room for standard pallet jack.  
**Capacity:** 20 m<sup>3</sup>.  
**Approx. Body Weight:** 1400kg.  
**Temperature Capacity:** -20 degrees.  
**Side Door:** Double 1400 x 1800mm (Right open first).  
**Rear Door:** Triple – Middle (800) Opens to the left.  
**Front Wall Frame:** Universal to suit diesel and off engine drive units.

#### Panel Thickness:

- \* Roof and Front Wall 105 mm
- \* Floor 100 mm
- \* Rear 70 mm
- \* Side 45 mm

**Steps:** Galvanized side and rear steps.

**Cargo Track:** 1 @ 750 mm 1 Shoring bar.

**Floor:** Heavy duty fully welded extruded alum. Floor Inc. 200 mm kick plate

**Features:** FurgoCar stainless steel recessed side door locks.